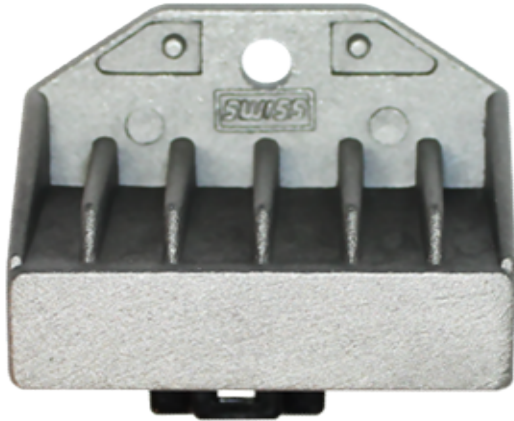
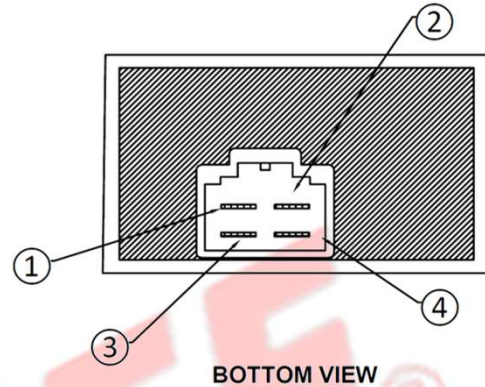


<b>PART No.</b>	SAP-0751B	<b>SPECIFICATIONS</b>
<b>PRODUCT</b>	Regulator Rectifier	

<b>Final Product</b>	<b>Connection Details</b>
----------------------	---------------------------



BOX COLOUR - METALLIC GREY  
 EPOXY COLOUR - BLACK  
 COUPLER COLOUR - BLACK



CONNECTION DETAILS:-

- |               |               |
|---------------|---------------|
| ① BATTERY (+) | ③ A.C. SUPPLY |
| ② LOAD        | ④ G.N.D.      |

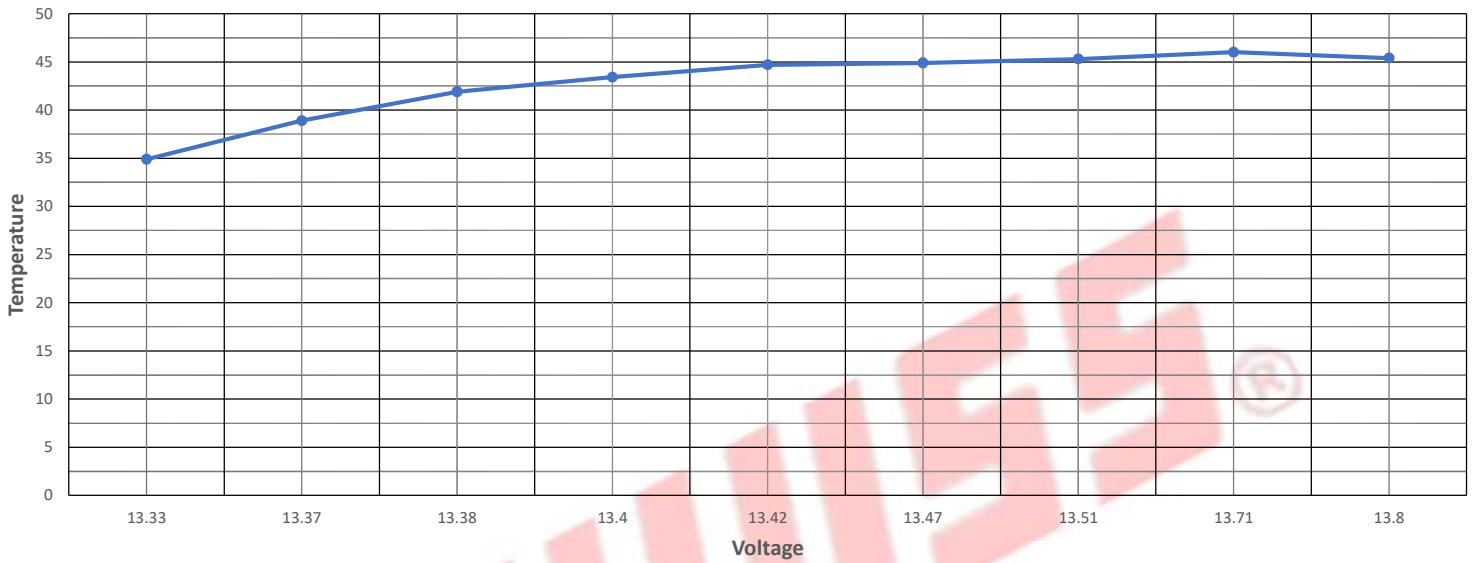
**ELECTRICAL SPECIFICATIONS**

<b>1</b>	<b>AC Input Voltage</b>	> 450Vpp @9000 RPM
<b>2</b>	<b>AC Input Frequency</b>	< 1KHz (606Hz) @9000 RPM
<b>3</b>	<b>DC Output Current at battery (With 12V/2.5W load)</b>	3.2 ±0.3 Amp. @3000 RPM
<b>4</b>	<b>AC Output Current at regulator (With 12V/35W load)</b>	2.8 ±0.3 Amps. @3000 RPM
<b>5</b>	<b>DC Output Voltage with battery</b>	13.7-14.27 VDC @3000 RPM
<b>6</b>	<b>DC Output Voltage in absence of battery</b>	15V @3000 RPM
<b>7</b>	<b>AC Output Voltage at regulator (With 12V/35W load)</b>	10.5V-12VAC @3000 RPM
<b>8</b>	<b>Temperature co-efficient of DC Output Voltage</b>	±4.5mV/°C @3000 RPM (fixed of time interval)
<b>9</b>	<b>SCR Forward Voltage Drop</b>	Max. 1.5V
<b>10</b>	<b>Terminal B &amp; E Leakage Current @ Vb=13V</b>	Max. 100uA
<b>11</b>	<b>Insulation Resistance</b>	100M Ohm
<b>12</b>	<b>Internal Device Allowed Temperature</b>	110°C

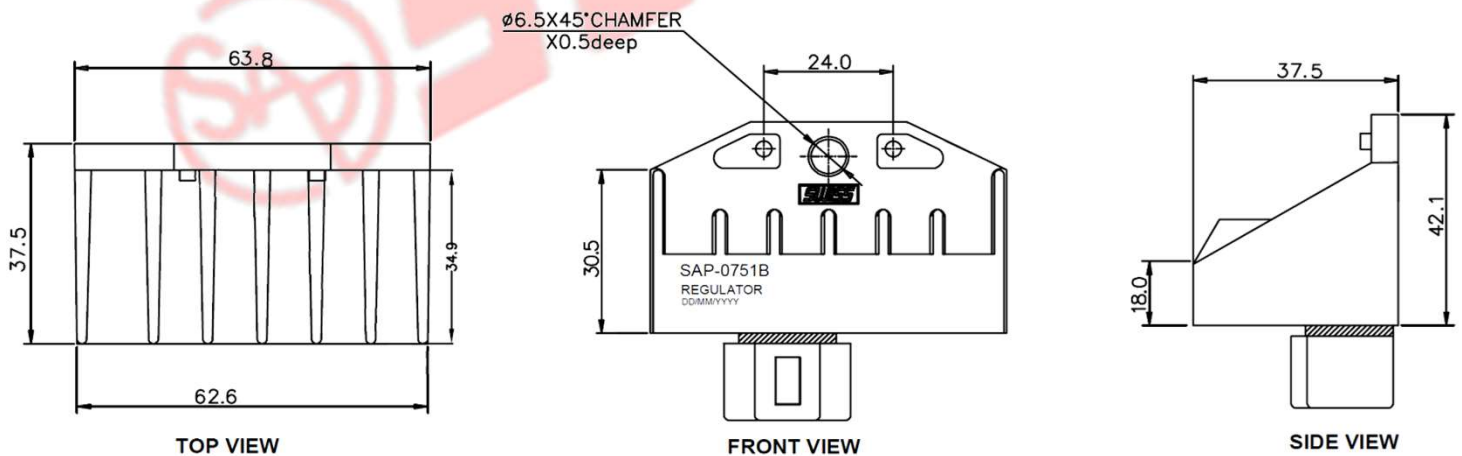
<b>PART No.</b>	SAP-0751B	<b>SPECIFICATIONS</b>
<b>PRODUCT</b>	Regulator Rectifier	

**PERFORMANCE GRAPHS**

**Temperature Co-efficient Curve**



**MECHANICAL DRAWING**



**MECHANICAL SPECIFICATION**

<b>ENCLOSURE</b>	Aluminium Case filled with epoxy resin
<b>DIMENSION (mm)</b>	L: 42.1, W: 63.8, H: 37.5
<b>WEIGHT</b>	91 gms
<b>OPERATING TEMPERATURE</b>	-40 °C ~ +80 °C